

SD310A LED driver IC for Pulse Generator

1. Features

- Forward pulse current 50mA (Typ.)
- Pulse cycle 5 μ s (Typ.) / Pulse width 0.9 μ s (Typ.)

2. Applications

- Paper detection in office machines
(Copier, Fax machines, ETC.)
- Photo sensor switches

4. Description

The SD310A creates LED drive pulses and various timing pulses for digital signal processing.

3. Block Diagram

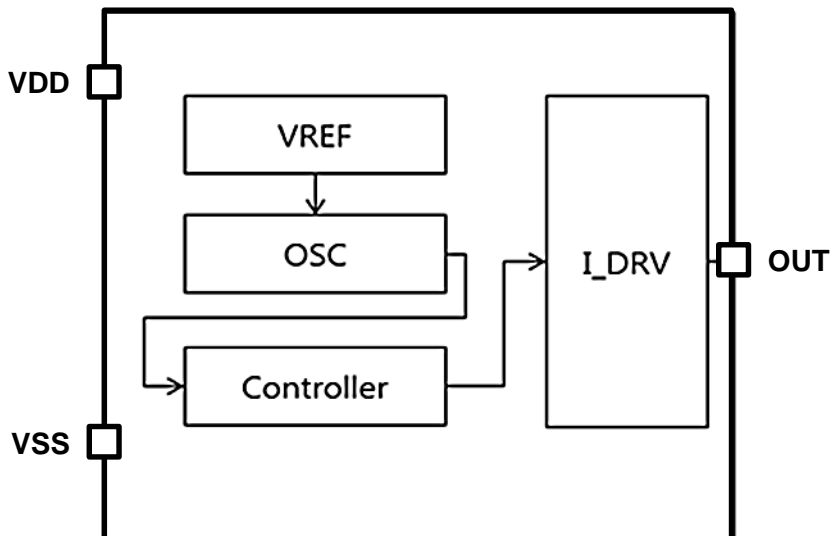


Table of Contents

1	Features	1	6	Application	4
2	Applications	1	7	Chip Information	5
3	Block Diagram	1			
4	Description	1			
5	Specifications	3			

5. Specifications

5.1 Absolute Maximum Ratings

(Ta = 25 °C)

ITEM	Symbol	Min	Max	Unit
Supply Voltage	VDD		6	V
Operating temp.	Topr.	-25	60	°C
Storage temp.	Tstg.	-40	100	°C

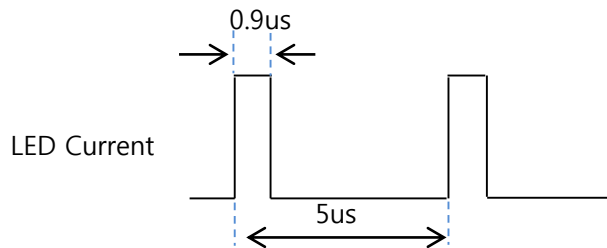
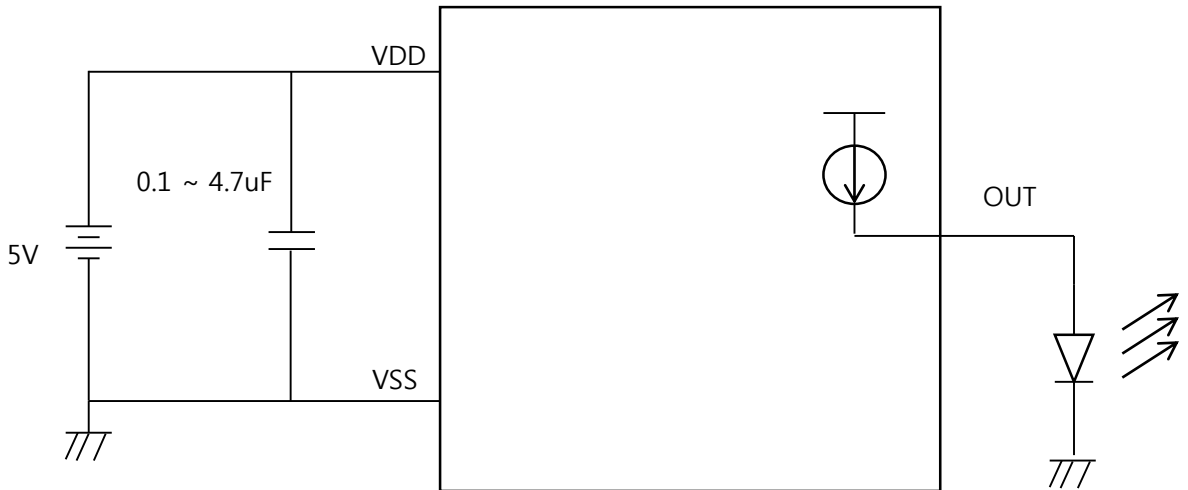
5.2 Electrical Characteristics

(VDD = 5.0V, Ta = 25 °C)

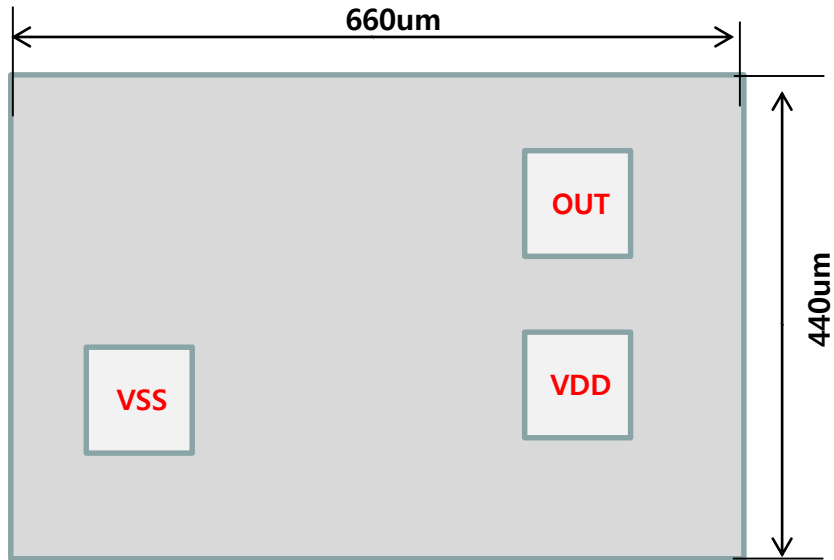
Parameter		Symbol	Test Condition	Min	Typ	Max	Unit
Supply current		I _{DD}	No Load	-	-	8.0	mA
LED Drive	VLED	VLED	VDD = 5V	2	-	-	V
	Forward pulse current	IFP	VDD = 5V	45	50	55	mA
Pulse cycle		t _p	-		5		μs
Pulse width		t _w	-		0.9		μs

6. Application

6.1 Application Circuit



7. Chip Information



PAD	X[um]	Y[um]
VSS	120.1	152.3
VDD	507.7	154.6
OUT	507.7	319.9

To Customers:

If any product described in this document corresponds to goods or technologies which are restricted to export under the Korea "Foreign Exchange and Foreign Trade Control Law" or other applicable laws of a government having jurisdiction, then, appropriate permission for exporting such products or technologies are required to be taken.

In relation to use of the information contained in this document, no license is granted to you with regard to any intellectual property rights of SNA Co. Ltd. (hereinafter referred to as "SNA") or any third party. SNA will not be liable in any way for any claim related to infringement of intellectual property rights or other rights of third parties arising from the use of the information contained in this document.

The information concerning the circuits and other related information contained in this document is provided for referential purpose only to explain the operation or application of the products, and it will be your sole responsibility to use such information for designing of your own devices. SNA will not be liable in any way for any loss or damages incurred to you or any other party arising from the use of such information.

In general, failures in semiconductor products occur at certain percentage. Therefore, upon designing your own devices, please give due consideration to the redundancy, safety of your devices and methods to prevent occurrence of malfunction in order to avoid personal injuries, accidents or other social damages which might happen as the result of a failure of semiconductor products used in your devices.

For application of SNA products to medical equipment or other purposes where high reliability of the device is required, please contact SNA sales representative.

The contents of these documents may be subject to change without any notice, due to improvement of reliability or design of the products.

It is inhibited to reproduce or copy the whole or part of this document without the permission of SNA.

SNA Co. Ltd.